



## IWH-42LI-UH

4 MP Fixed Bullet Network Camera, 2.8 mm fixed lens, 30 m IR range, built-in microphone, human and vehicle detection, PoE, IP67.

High quality imaging with 4 MP resolution  
 Support Human and Vehicle Detection  
 Smart Hybrid Light: advanced technology with long range  
 Built-in microphone for real-time audio security  
 Support on-board storage up to 512 GB (SD card slot) (Optional)  
 Efficient H.265+ compression technology  
 Water and dust resistant (IP67)

### Camera

Image Sensor	1/3" Progressive Scan CMOS
Max Resolution	2560 × 1440
Min. Illumination	Colour: 0.005 Lux @(F1.6, AGC ON), B/W: 0 Lux with IR
Shutter Speed	1/3 ÷ 1/100,000 s
Day & Night	IR cut filter
Angle Adjustment (bracket)	<i>Pan: 0° ÷ 360°; Tilt: 0° ÷ 90°; Rotation: 0° ÷ 360°</i>

### Lens

Lens Type	Fixed focal lens
Focal length	2.8 mm
Aperture	F1.6
Iris Type	Fixed
FOV	<i>Horizontal field of view: 98° Vertical field of view: 54° Diagonal field of view: 114°</i>
Lens Mount	M12

### Illuminator

Supplement Light Type	IR, White Light
Supplement Light Range	Up to 30 m
Smart Supplement Light	Yes
IR Wavelength	850 nm

### Video

Main Stream	50 Hz: 20 fps @(2560 × 1440); 25 fps @(1920 × 1080, 1280 × 720) 60 Hz: 20 fps @(2560 × 1440); 24 fps @(1920 × 1080, 1280 × 720)
Sub-Stream	50 Hz: 25 fps @(1280 × 720, 640 × 480, 640 × 360) 60 Hz: 24 fps @(1280 × 720, 640 × 480, 640 × 360)
Video Compression	<i>Main stream: H.265+/H.265/H.264+/H.264 Sub-stream: H.265/H.264/MJPEG</i>
H.264 Type	Baseline Profile/Main Profile/High Profile
H.265 Type	Main Profile
Video Bit Rate	32 kbps to 8 Mbps
Bit Rate Control	CBR, VBR
Region of Interest (ROI)	1 fixed region for main stream

### Audio

Audio Type	Mono sound
Environment Noise Filtering	Yes
Audio Sampling Rate	8 kHz/16 kHz
Audio Compression	G.711ulaw/G.711alaw/G.722.1/G.726/MP2L2/PCM/AAC-LC
Audio Bit Rate	64 kbps (G.711 ulaw)/64 kbps (G.711 alaw)/16 kbps (G.722.1)/16 kbps (G.726)/32 to 160 kbps (MP2L2)/16 to 64 kbps (AAC-LC)

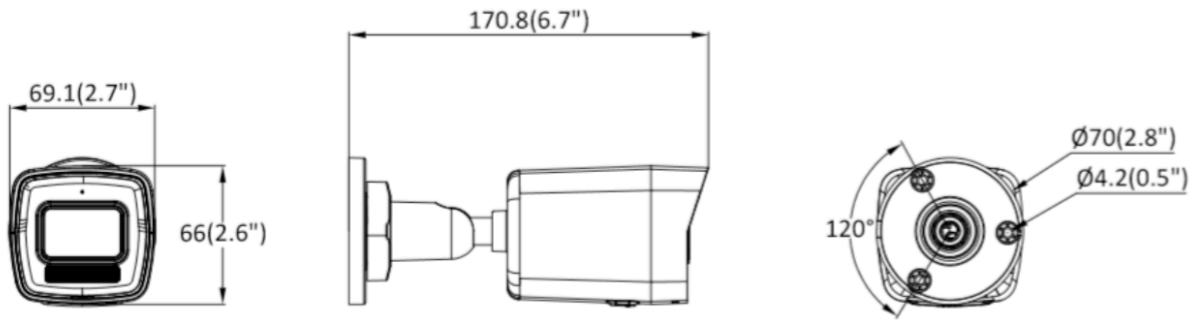
### DORI

DORI	D: 63 m; O: 25 m; R: 12 m; I: 6 m
------	-----------------------------------

### Image

Wide Dynamic Range (WDR)	120 dB
SNR	≥ 52 dB
Privacy Mask	4 programmable polygon privacy masks

Image Enhancement	BLC, HLC, 3D-DNR
Image Setting	Rotate mode, Saturation, brightness, contrast, sharpness, gain, white balance, adjustable by client software or web browser
Day/Night Switch	Day, Night, Auto, Schedule
<b>Network</b>	
Security	Password protection, complicated password, watermark, basic and digest authentication for HTTP, WSSE and digest authentication for Open Network Video Interface, security audit log, host authentication (MAC address)
Protocols	TCP/IP, ICMP, DHCP, DNS, HTTP, RTP, RTSP, NTP, IGMP, IPv6, UDP, QoS, FTP, SMTP
API	Open Network Video Interface (Profile S, Profile T, Profile G), ISAPI, SDK
Simultaneous Live View	Up to 6 channels
User/Host	Up to 32 users; 3 user levels: administrator, operator and user
Client	CMS-MAZi, CTR-MAZi
Web Browser	Plug-in required live view: IE 10, IE 11, Local service: Chrome 57.0+, Firefox 52.0+
<b>Interface</b>	
Ethernet Interface	1 RJ45 10/100 M self-adaptive Ethernet port
On-Board Storage	Built-in memory card slot, support microSD/microSDHC/microSDXC card, up to 512 GB
Built-in Microphone	Yes
Reset Key	Yes
<b>Event</b>	
Basic event	Motion detection (support alarm triggering by specified target types (human and vehicle), video tampering alarm, exception
Linkage	Upload to FTP/memory card, send email, notify surveillance center, trigger recording, trigger capture
<b>General</b>	
Operating and Storage Conditions	-30 °C ÷ +60 °C (-22 °F ÷ +140 °F), humidity 95% or less (non-condensing)
Power Supply	12 Vdc ± 25%; 0.4 A max.; Ø 5.5 mm coaxial power plug, reverse polarity protection; PoE IEEE 802.3af, Class 3, max. 6.5 W
Language	English, Ukrainian
General Function	Heartbeat, anti-banding, mirror, password protection, password reset via email
Material	Metal & Plastic
Camera Dimension	170.8 × 66 X 69.1 mm (6.7" × 2.6" × 2.7")
Package Dimension	216 × 121 × 118 mm (8.5" × 4.8" × 4.6")
Camera Weight	Approx. 270 g (0.6 lb.)
With Package Weight	Approx. 481 g (1.1 lb.)
<b>Approval</b>	
EMC	FCC: 47 CFR Part 15, Subpart B, CE-EMC: EN 55032: 2015, EN 61000-3-2:2019, EN 61000-3-3: 2013+A1:2019, EN 50130-4: 2011 +A1: 2014, RCM: AS/NZS CISPR 32: 2015, IC: ICES-003: Issue 7
Safety	UL: UL 62368-1, CB: IEC 62368-1: 2014+A11, CE-LVD: EN 62368-1: 2014/A11: 2017, BIS: IS 13252 (Part 1): 2010/IEC 60950-1: 2005
Environment	CE-RoHS: 2011/65/EU, WEEE: 2012/19/EU, Reach: Regulation (EC) No 1907/2006
Protection	IP67: IEC 60529-2013



Unit: mm (inch)